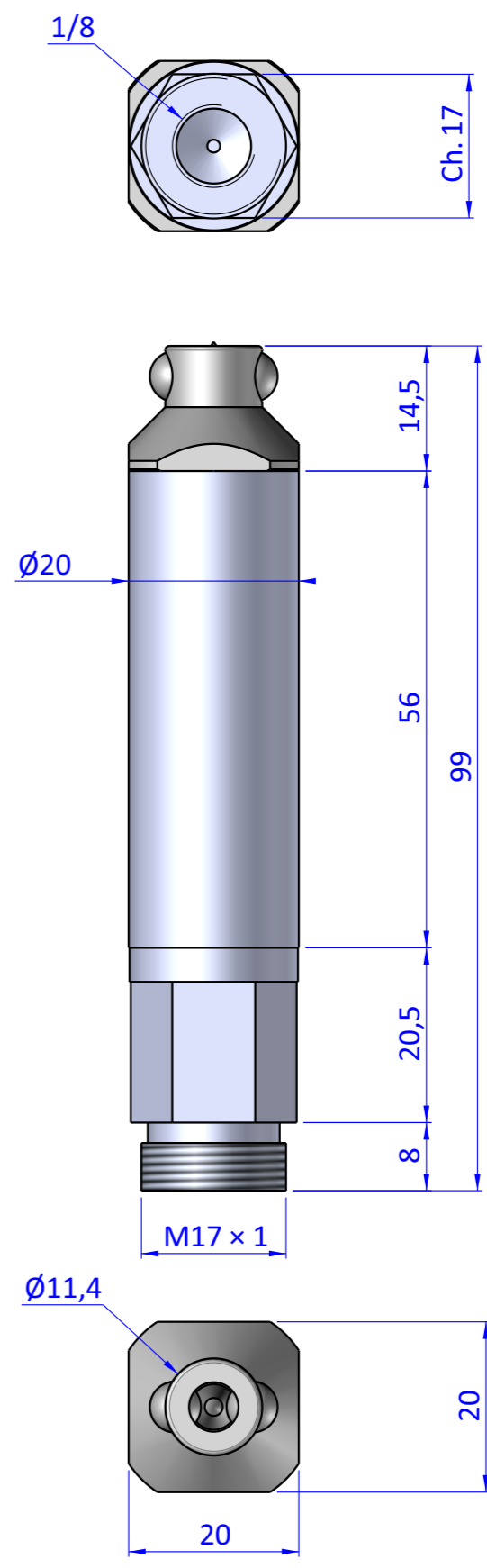
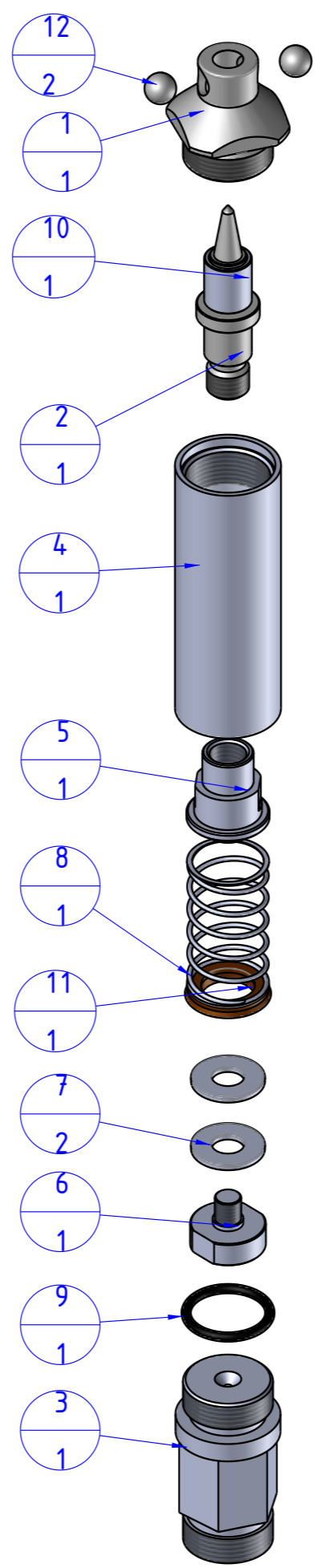



THE PROPERTY OF THE DRAWING IS ESTABLISHED BY LAW. IT IS FORBIDDEN TO PRODUCE OR SHOW IT TO THIRD PART. WITHOUT A WRITTEN AGREEMENT.

Item	Name	Q.ty
1	AGP.20.1.20	1
2	AGP.20.2.20	1
3	AGP.20.3.20	1
4	GRF20.95.02	1
5	GRF20.95.03	1
6	GRF20.95.03.2	1
7	GRF20.95.10	2
8	M.GRF.2095.1	1
9	OR.2056	1
10	PAP.070910	1
11	PSP.1610255	1
12	SFERA.06	2



Format A3
UNI 936-76

 FPS SERVICES AUTOMATION		DESIGNED FROM		REVIEW
		FPS Automation		A
GENERAL TOLERANCE		DATE	WEIGHT	
UNI - ISO 2768		29/06/2022	0,087kg	
CLASSE f		CODE		
		CA.AGP.20.G.20		CA.AGP.20.G.20